

## FEATURES

- Ultra small size
- 6.3 mm profile
- Broad bandwidth
- High selectivity
- 6 elements

## 6 ELEMENT CERAMIC FILTER

Ultra small size high selectivity type ceramic filter for communication use.

## OPERATING CONDITIONS/ELECTRICAL CHARACTERISTICS

PART NUMBER	CENTER FREQUENCY (KHz)	INSERTION LOSS (dB) MAX.	PASS BAND RIPPLE (dB) MAX.	6 dB BANDWIDTH (KHz) MIN.	50 dB BANDWIDTH (dB) MAX.	STOP BAND ATT. $\pm 100$ KHz (dB) MIN.	INPUT / OUTPUT IMPEDANCE ( $\Omega$ )
LTM450BW	450 $\pm 2.0$	4	2	$\pm 15$	$\pm 30$	45	1500
LTM450CW	450 $\pm 2.0$	4	2	$\pm 12.5$	$\pm 24$	45	1500
LTM450DW	450 $\pm 1.5$	4	2	$\pm 10$	$\pm 20$	45	1500
LTM450EW	450 $\pm 1.5$	6	2	$\pm 7.5$	$\pm 15$	45	1500
LTM450FW	450 $\pm 1.5$	6	2	$\pm 6$	$\pm 12.5$	45	2000
LTM450GW	450 $\pm 1.5$	6	2	$\pm 4.5$	$\pm 10$	45	2000
LTM450HW	450 $\pm 1.0$	6	2	$\pm 3$	$\pm 9$	55	2000
LTM450IW	450 $\pm 1.0$	6	2	$\pm 2$	$\pm 7.5$	55	2000
LTM450HTW	450 $\pm 1.0$	6	2	$\pm 3$	$\pm 9$	60	2000
LTM450ITW	450 $\pm 1.0$	6	2	$\pm 2$	$\pm 7.5$	60	2000

## PACKAGE DIMENSIONS (mm)

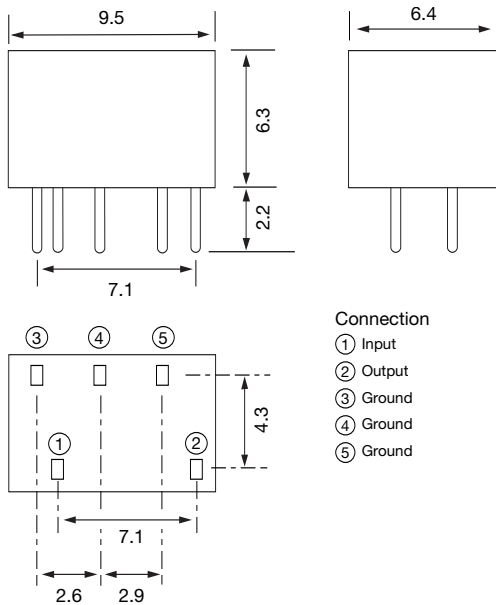


Figure 1) LTM450W – Front, Side and Bottom views

Note: To avoid potential problems, connect the output to an IF amplifier through a DC cut capacitor.  
Avoid applying a direct current to output end of the ceramic filters (between  $\infty$  and  $\neq 0$ ).

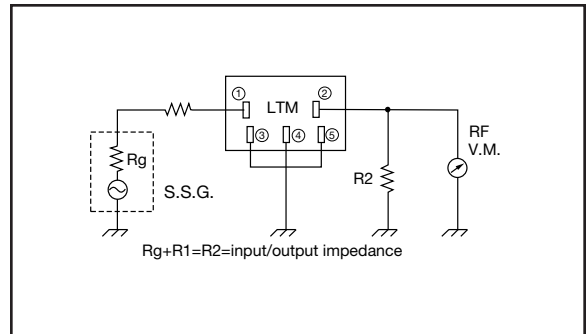


Figure 2) LTM450W – Measuring Circuit

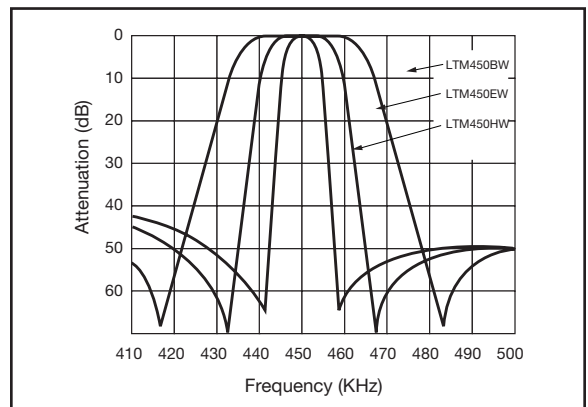


Figure 3) LTM450W – Characteristics

This datasheet has been downloaded from:

[www.DatasheetCatalog.com](http://www.DatasheetCatalog.com)

Datasheets for electronic components.